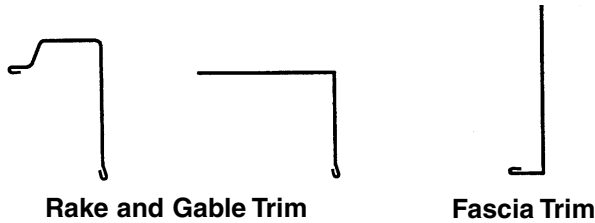


Fascia Trim

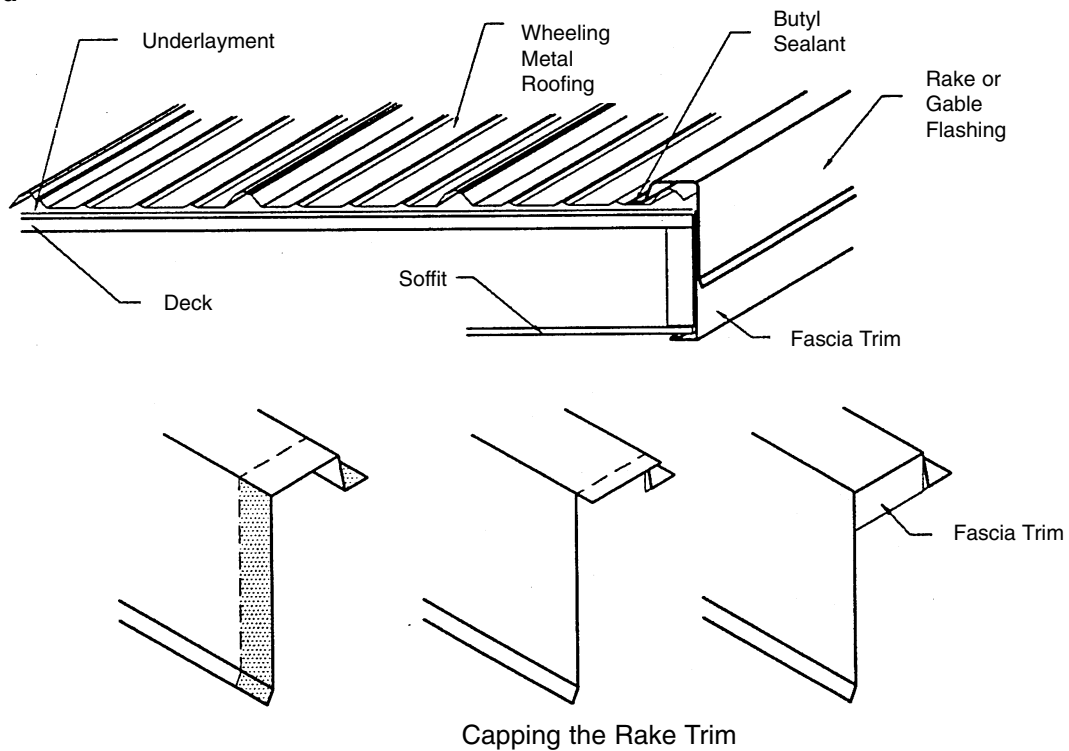
Attach fascia trim with galvanized flat screws or galvanized nails positioned to be under rake or gable flashing.

Rake or Gable Flashing

Place butyl sealant to seal between roofing and gable or rake flashing. Attach with #9 X 1" metal to wood self-drilling screws spaced 12" on center.



Recommended



Alternate

