

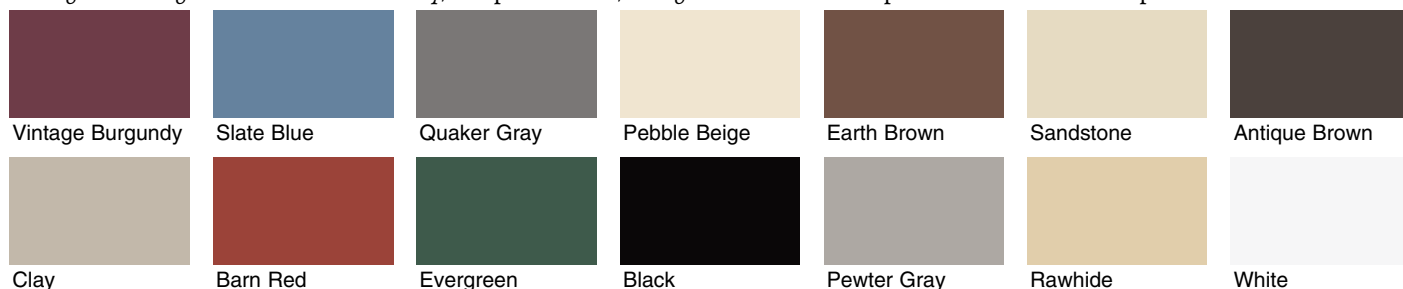
Panelrain® ... built to look good where the weather is bad.

Panelrain is engineered to go where rough weather will give your building a pounding. It's designed to stand up under heavy snows, driving rain, and ripping winds, and to look good doing it.

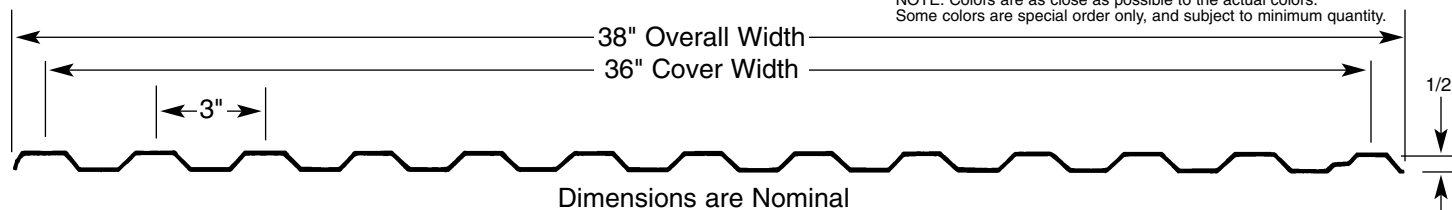
Panelrain is full hard, 100,000-plus psi high tensile galvanized steel. Deep 1/2" ribs on 3" centers add extra strength and built-in rigidity. The lightweight panels are easy to install, stay taut without gaps or creeping. An exclusive drain channel prevents water from leaking into your building. The outside stays rigid and tight, the inside dry and snug. Colors stay bright and chalk-free, and a bold, crisp shadow pattern gives a handsome contemporary look that makes Panelrain a popular choice for a variety of agricultural, commercial, light industrial, and residential applications.

Panelrain is part of The System™

Panelrain's enhanced performance is a product of The System: the most tightly quality-coordinated manufacturing and paint finishing process in the industry. Every step—from 100 percent Wheeling-Pittsburgh galvanized steel through roll forming—is engineered to deliver roofing and siding with increased durability, a superior finish, and greater value. Value spelled out in a rock-solid performance certification.



NOTE: Colors are as close as possible to the actual colors. Some colors are special order only, and subject to minimum quantity.



Panelrain quick specs

- Full-hard 100,000-plus psi galvanized steel.
- Popular 38" width (36" cover), in lengths from 6 thru 40 feet, in even one inch increments.
- Available in galvanized G-90 and fourteen rich, baked-on enamel colors.
- Deep, repeating ribs add extra strength, handle the harshest weather.
- 29 gauge (28 and 26 on special order).
- Also available: 2 oz. Seal of Quality—a sheet that is heavier and with an extra thick zinc coating for extra wear and long life. We're so confident of its durability, we provide 2 oz. Panelrain with its own 20 year limited warranty.

Safe Uniform Load Table (Lbs. Per Sq. Ft.)

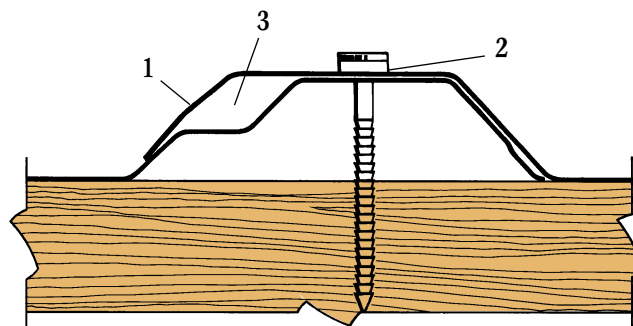
Purlin Spacing	24"	30"	36"	42"
Triple Span	162	104	72	46

NOTES:

1. Table lists safe uniform total load capacity based on unrestrained continuous spans (4 or more supports).
2. Loads are based upon use of minimum 80,000 psi yield steel. Panelrain roofing and siding is manufactured in accordance with ASTM specifications noted in "Steel Roofing Sheets" latest revision.
3. Loads left of the heavy line are governed by 36,000 psi stress.
4. Loads right of the heavy line are governed by the deflection limit of 1/100.

Wheeling Corrugating Company reserves the right to change the design and/or specifications of its products without notice.

Drain Channel The exclusive drain channel guards against wind, rain, and snow.... assures dryness.



1. Wide overlap: increases strength and leak protection at each joint.
2. Wide nailing surface: makes nailing easier and faster.
3. Drain channel: the exclusive leakproof system that prevents capillary action; stays weathertight.

